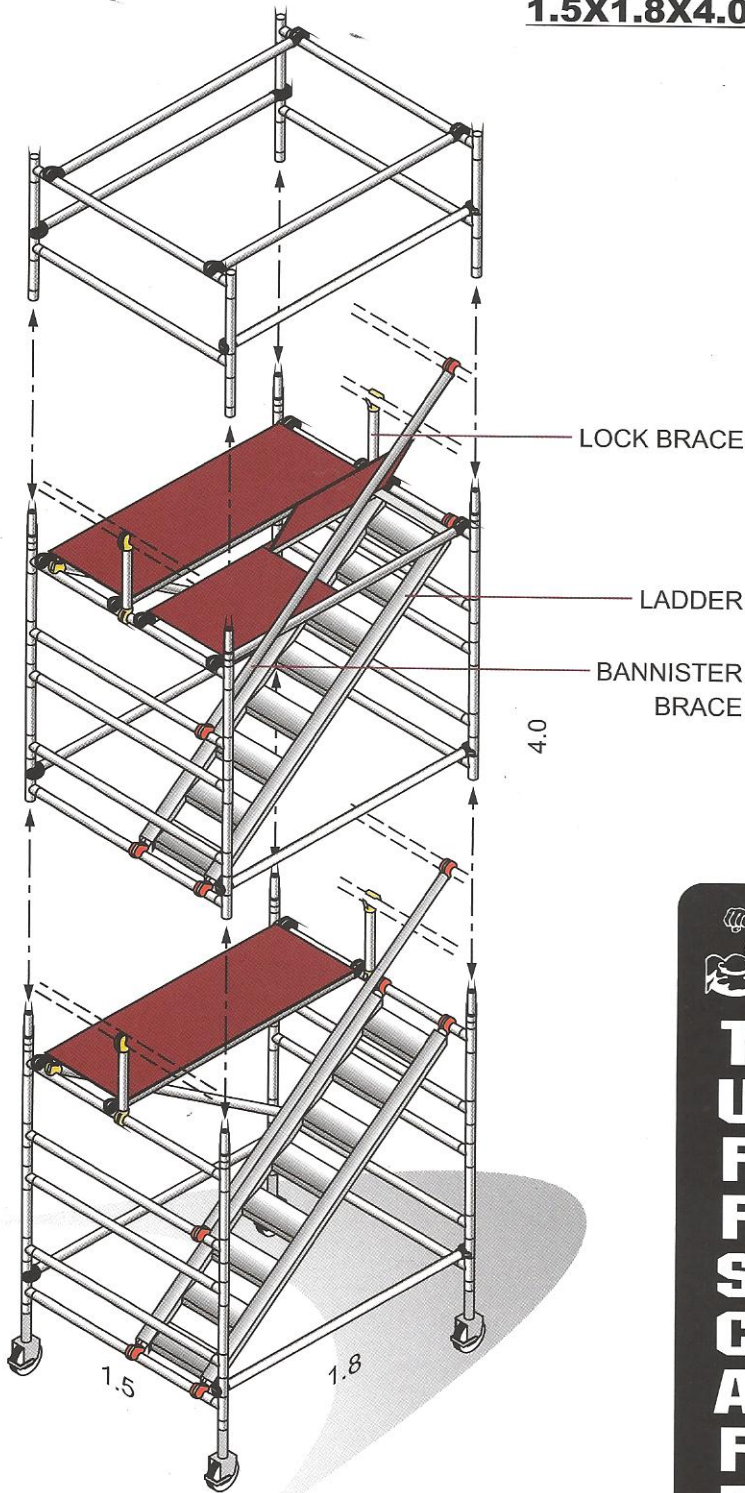


STAIRWELL TOWER

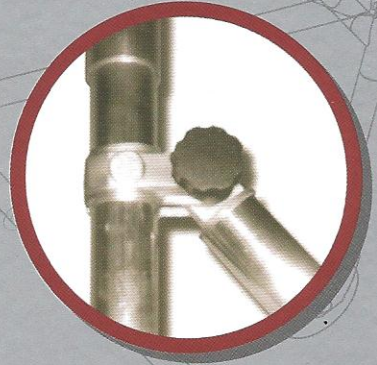
1.5X1.8X4.0



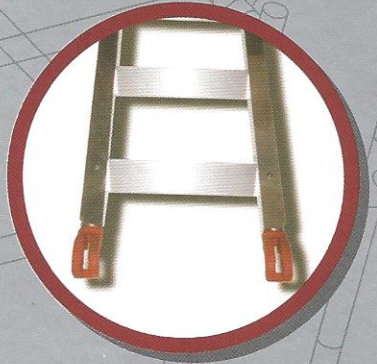
FEATURES



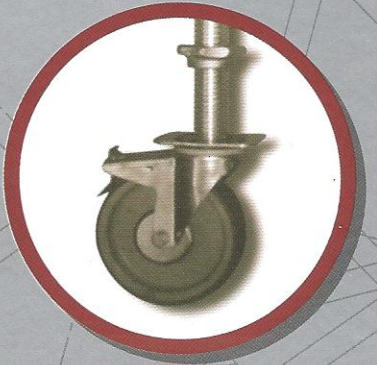
WELDED JOINT



OUTRIGGER CLAMP

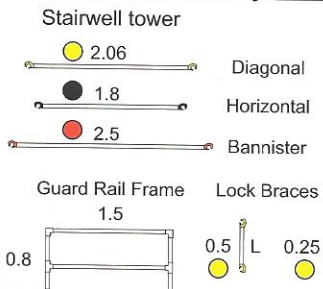


STAIRWELL LADDER

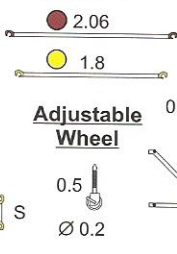


ADJUSTABLE CASTOR

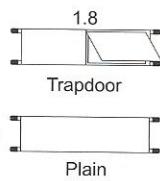
Braces (Colour-coded Nylon Hooks)



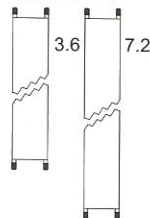
Span tower



Platforms



Bridging Platforms



Outrigger



Tailor-made sizes available on large orders

ALUMINIUM SCAFFOLDING SYSTEMS